

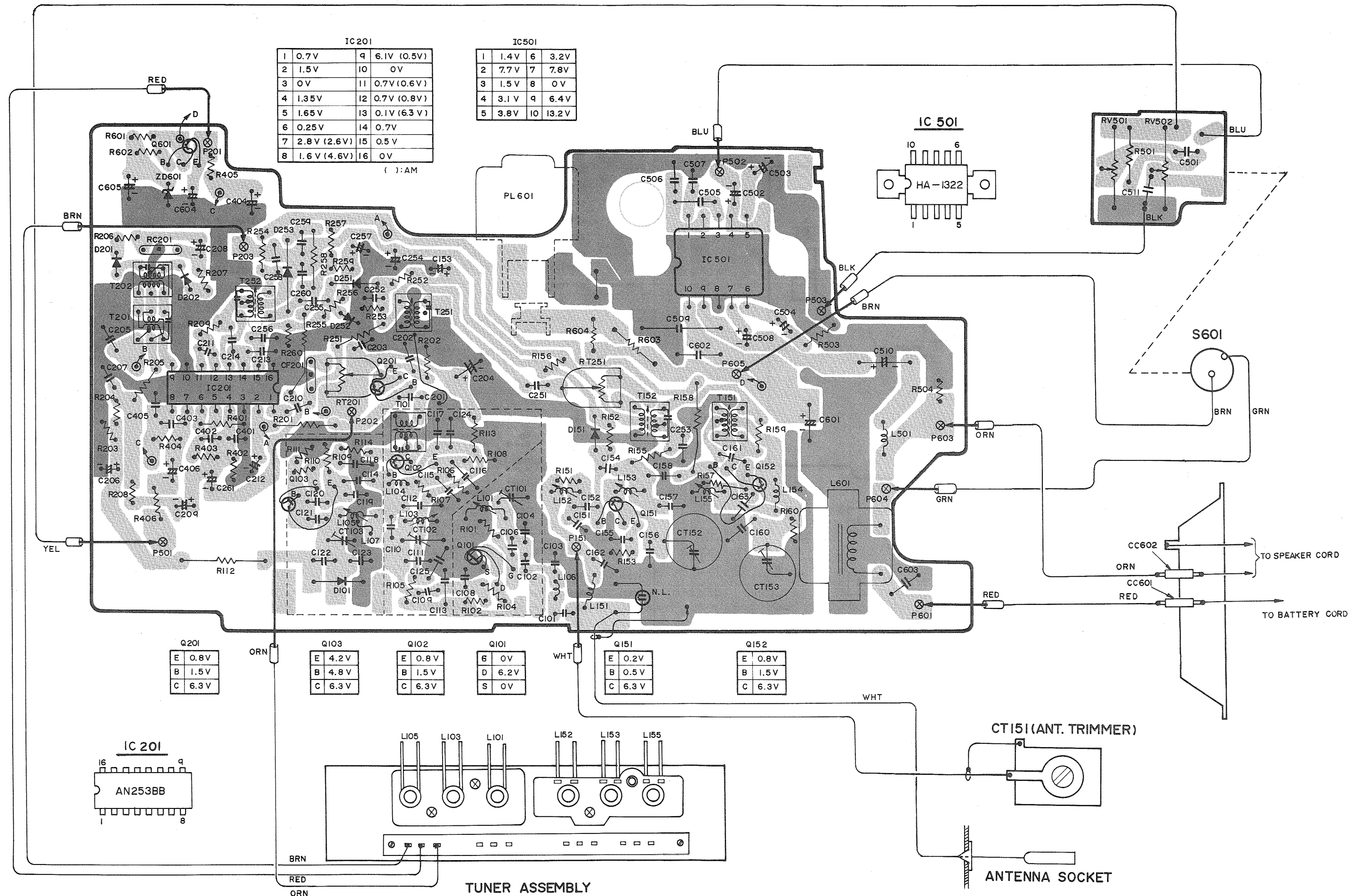
Note

1. Voltage measured at base of chassis with minimum volume control and no signal.
2. Nomenclature of Resistors Capacitors.

Circuit No.	
Value	No indicated Ω (Ohm) M : 1000 kΩ
Tolerance	No indicated ±5% K : ±10% M : ±20%
Wattage	No indicated ¼W
Sort	No indicated Carbon film RC : Composition RW : Wire wound RS : Oxide metal film RN : Metal film

Circuit No.	
Value	No indicated μF P : PF
Tolerance	No indicated ±10% J : ±5% M : ±20% Z : +80%, -20% D : ±0.5pF C : ±0.25pF
Sort	Ceramic Electrolytic Mylar Polyester
Voltage	No indicated 50WV

3. Be sure to make your orders of resistors and capacitors with value, Voltage, tolerance and sort.
4. When replacing capacitors marked with *: Use specified ones stated on parts list since required temperature characteristics.



IC 201

1	0.7V	9	6.1V (0.5V)
2	1.5V	10	0V
3	0V	11	0.7V (0.6V)
4	1.35V	12	0.7V (0.8V)
5	1.65V	13	0.1V (6.3V)
6	0.25V	14	0.7V
7	2.8V (2.6V)	15	0.5V
8	1.6V (4.6V)	16	0V

IC 501

1	1.4V	6	3.2V
2	7.7V	7	7.8V
3	1.5V	8	0V
4	3.1V	9	6.4V
5	3.8V	10	13.2V

Q201

E	0.8V
B	1.5V
C	6.3V

Q103

E	4.2V
B	4.8V
C	6.3V

Q102

E	0.8V
B	1.5V
C	6.3V

Q101

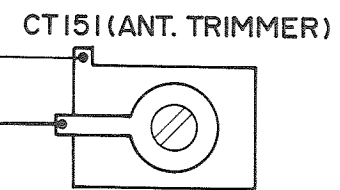
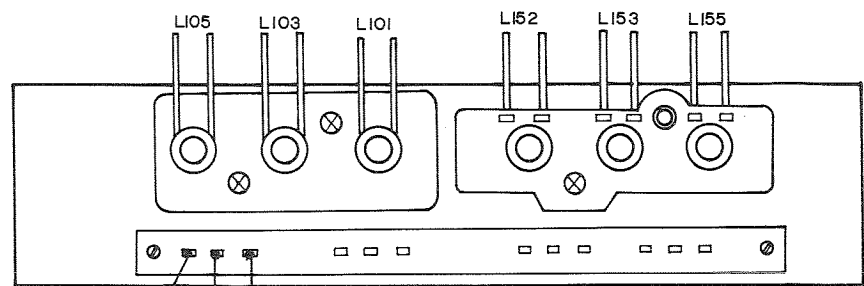
B	0V
D	6.2V
S	0V

Q151

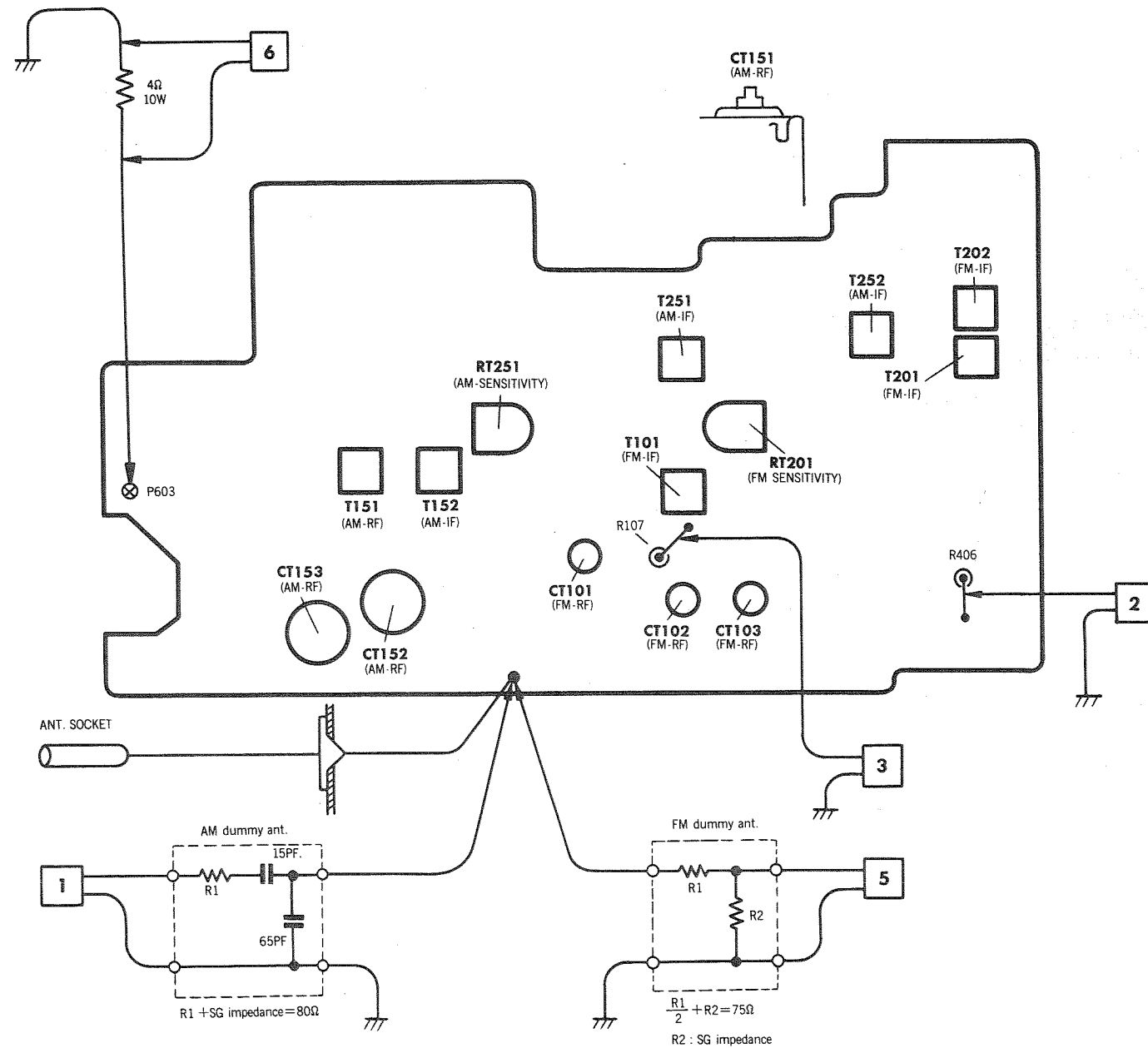
E	0.2V
B	0.5V
C	6.3V

Q152

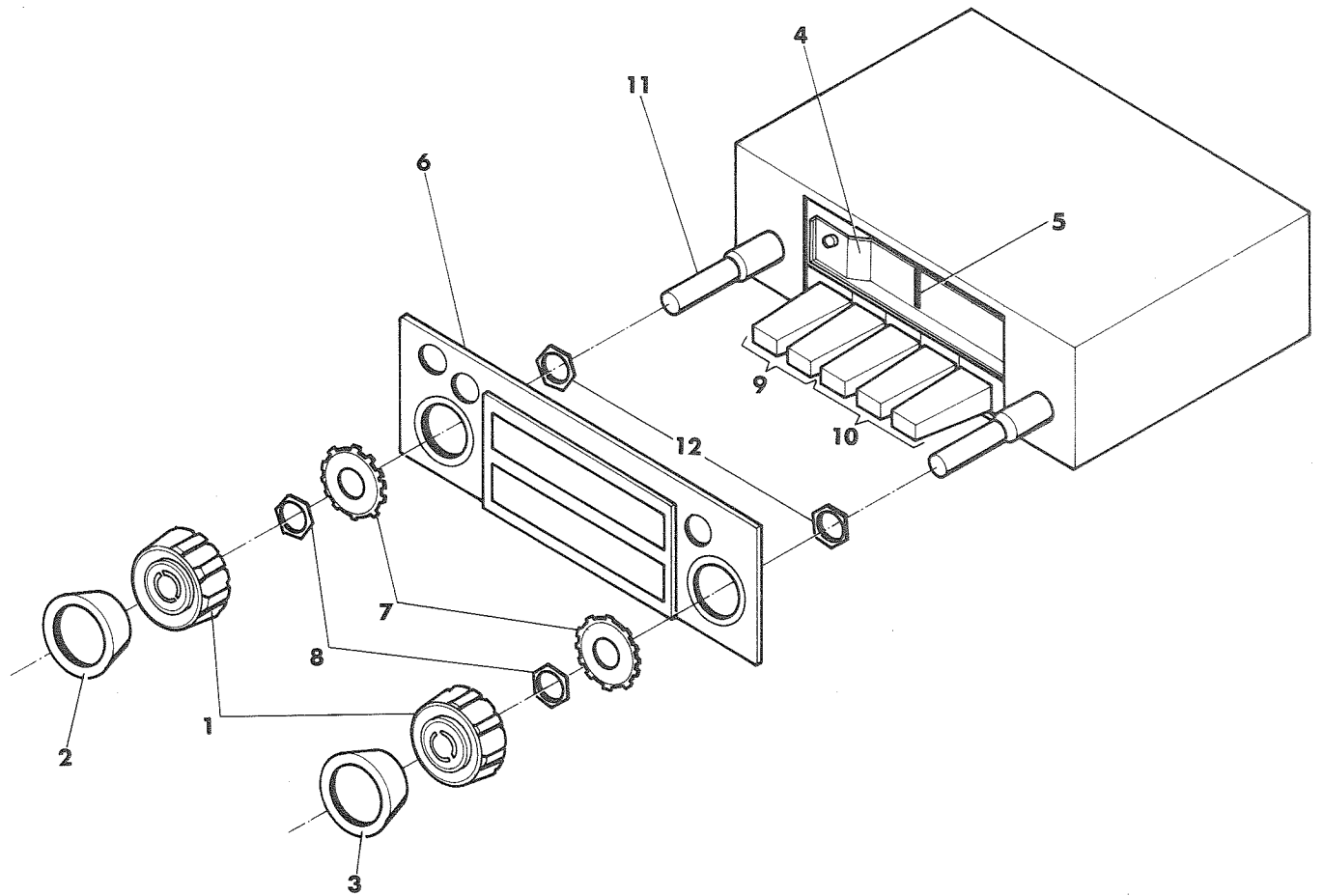
E	0.8V
B	1.5V
C	6.3V

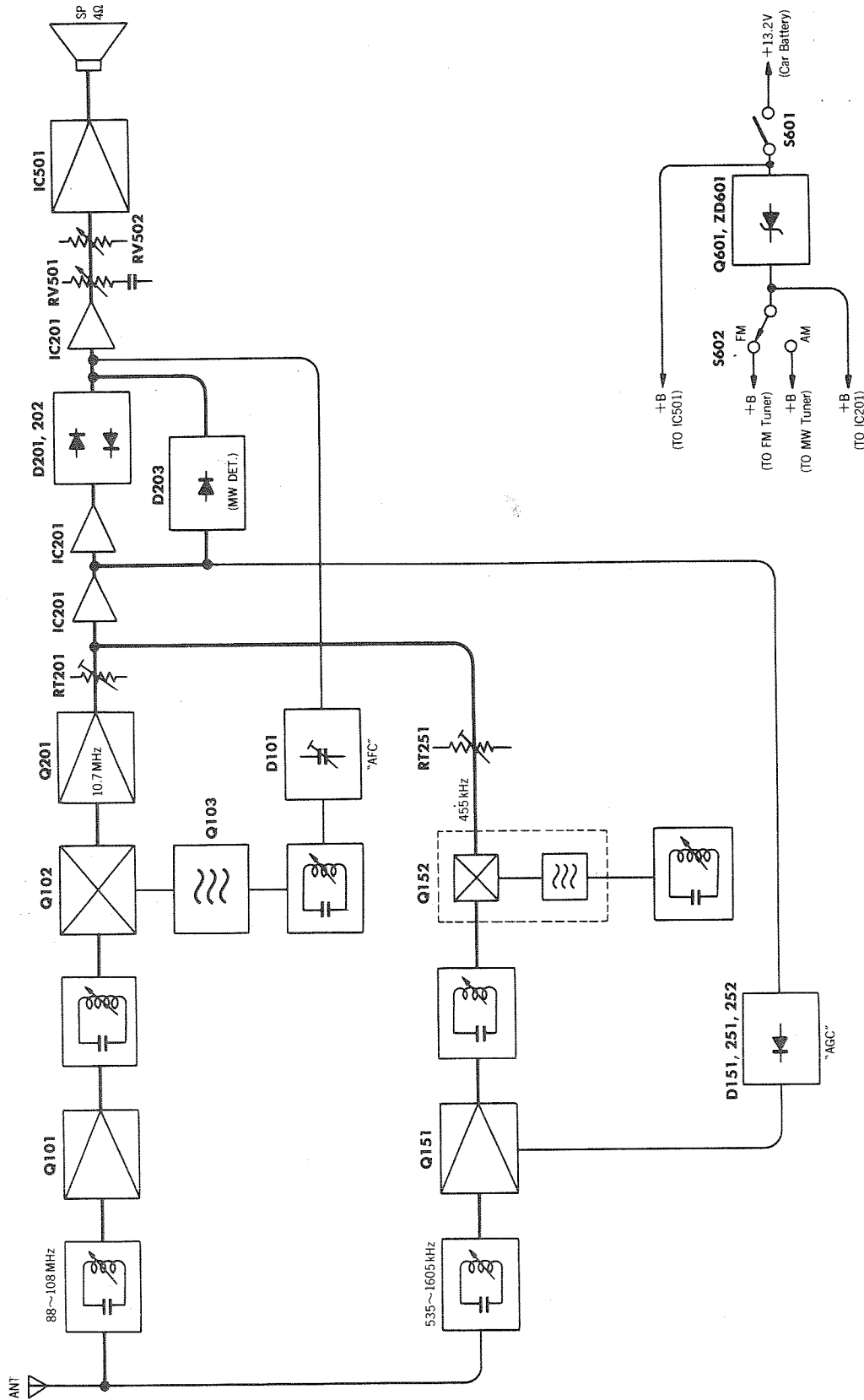


REPLACEMENT PARTS



SYMBOL-NO	P-NO	DESCRIPTION	SYMBOL-NO	P-NO	DESCRIPTION
CAPACITORS					
CC601	5070192	CYLINDRIC CERAMIC CAPACITOR	T201	5148035	FM DISCRIMINATOR TRANSFORMER
CC602	5070192	CYLINDRIC CERAMIC CAPACITOR	T202	5148034	FM IF TRANSFORMER
CT101	5058091	TRIMMER CAPACITOR 8PF	T251	5130036	AM IFT TRANSFORMER
CT102	5058091	TRIMMER CAPACITOR 8PF	T252	5130033	AM IF TRANSFORMER
CT103	5058091	TRIMMER CAPACITOR 8PF	COILS		
CT151	5058131	TRIMMER	L102	5150811	CHOKE COIL 7,9UH
CT152	0283104	TRIMMER CAPACITOR 50PF	L104	5150141	TRAP COIL
CT153	0283104	TRIMMER CAPACITOR 50PF	L106	5150141	TRAP COIL
C122	0248015	CERAMIC DISCAL 5PF +-0,5PF	L107	5126331	FM PADDING COIL
C123	0248153	CERAMIC DISCAL 3PF +-0,5PF	L151	5150781	CHOKE COIL 7UH
C160	0249545	CERAMIC DISCAL 180PF +-10%	L154	5152012	CHOKE COIL 6,8MH
RESISTORS					
RC201	0186357	CR PACK	L501	5152123	CHOKE COILS 18MH
RT201	0151807	SEMI VARIABLE RESISTOR 500 OHM R5B5H	L601	5220001	POWER CHOKE COIL 1,5MH
RT251	0151815	SEMI VARIABLE RESISTOR 200 OHM	MISCELLANEOUS		
RV501	0156933	VOLUME	5419013	SPEAKER ASSEMBLY	
RV502	0156933	VOLUME	5583038	5 BUTTON TUNER WITHOUT BUTTON	
SEMI-CONDUCTOR					
D101	5330661	DIODE SILICON LS2790 200MHZ 80MW	5740044	CORD WITH RELAY TERMINAL	
D151	0575005	DIODE GERMANIUM 1N60 80MHZ 50MW 70NS	5742777	POWER CORD	
D201	0575019	DIODE GERMANIUM 1N60P 80MHZ 50MW 70NS	5742786	SPEAKER CORD	
D202	0575019	DIODE GERMANIUM 1N60P 80MHZ 50MW 70NS	ANT,J	5675183 ANTENNA JACK	
D251	5330133	DIODE SILICON 1S2076 100MHZ 250MW	CF201	5160213 CERAMIC FILTER CF-107	
D252	5330131	DIODE SILICON 1S2076 100MHZ 250MW 5NS	NL	0594094 LAMP-NEON 100 V	
D253	5330131	DIODE SILICON 1S2076 100MHZ 250MW 5NS	PL601	5760571 LAMP 14 V	
IC201	5351061	IC AN253BB	FOR ACCESSORIES		
IC501	5350261	IC HA-1322	7401081	BRACKET V	
Q101	5320943	TRANSISTOR 25K55-D	7277982	BRACKET	
Q102	0573510	TRANSISTOR SILICON 230MHZ 200MW 25C535	0219901	PAPER MYLAR CAPACITOR NOISE ELIMINATING	
Q103	0573487	TRANSISTOR SILICON 230MHZ 200MW 25C460	0256944	NOISE ELIMINATING CAPACITOR	
Q151	0573487	TRANSISTOR SILICON 230MHZ 200MW 25C460	1	6270352 KNOB	
Q152	0573487	TRANSISTOR SILICON 230MHZ 200MW 25C460	2	6272583 KNOB	
Q201	0573487	TRANSISTOR SILICON 230MHZ 200MW 25C460	3	6272584 KNOB	
Q601	5321262	TRANSISTOR SILICON 25C1641S 250MHZ 300MW	MISCELLANEOUS		
ZD601	5330313	DIODE SILICON HZ7C 1,0MHZ 400MW 200MICROS	4	6481332 PACK PLATE	
TRANSFORMERS					
T101	5140021	FM IF TRANSFORMER	5	7282131 POINTER	
T151	5120437	AM OSC TRANS	6	6241404 ESCUTCHEON ASSEMBLY	
T152	5130036	AM IFT TRANSFORMER	7	7245624 LOCKING WASHER	
			8	0643135 NUT - 9HMD	
			9	6252151 PUSH BUTTON	
			10	6252153 PUSH BUTTON	
			11	7584041 SHAFT	
			12	0643135 NUT - 9HMD	





Head Office : 5-1, 1-chome, Marunouchi, Chiyoda-ku, Tokyo
 Tel. Tokyo (212) 1111 (80 lines)
 Cable Address : *HITACHY* TOKYO
 Codes : All Codes Used